

GARMENT RAILS

SPIRAL RAIL



Order No. **R169**



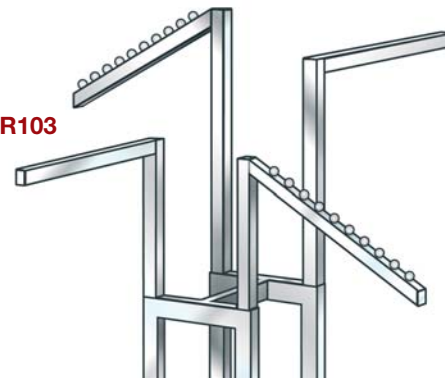
(R169)
Spiral garment rail in a mirror finish chrome. Height 1800mm

ADJUSTABLE 4 ARM RAILS



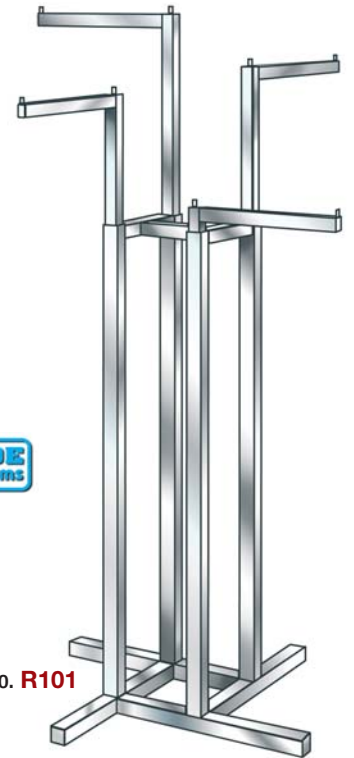
Order No. **R102**

(R102)
Specification as R101 but having 4 x 18" waterfall arms, each with 10 ball stops. Mirror finish chrome.



Order No. **R103**

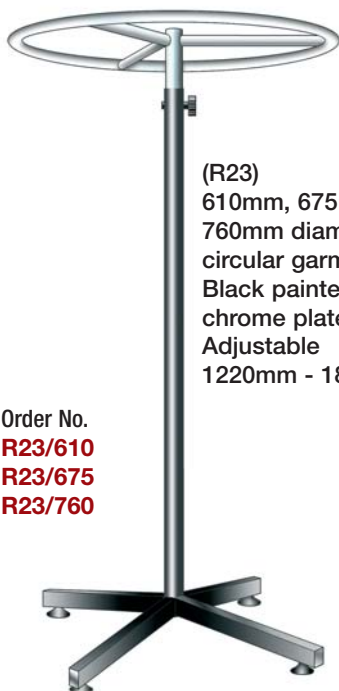
(R103)
Specification as R101 but having 2x R101 straight arms and 2 x R102 waterfall arms. Mirror finish chrome.



Order No. **R101**

(R101)
Each arm 16" long and independently adjustable every 3" from 48" to 72". Base made from 1" square tube. Inner uprights and arms made from 1" square tube. Adjustable feet, Cardholder fitting. Mirror finish chrome.

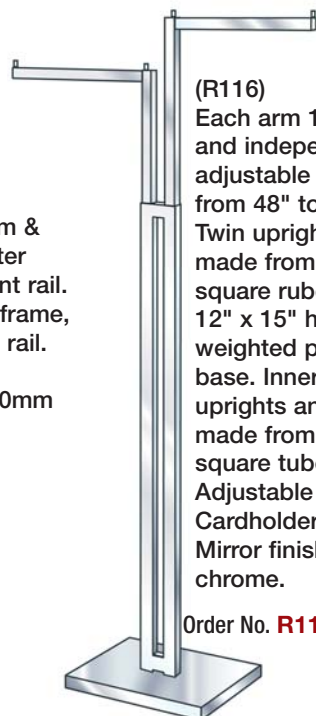
CIRCULAR RAILS



Order No.
R23/610
R23/675
R23/760

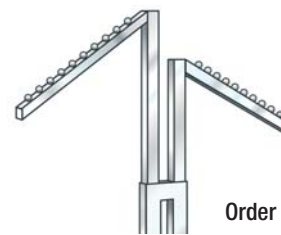
(R23)
610mm, 675mm & 760mm diameter circular garment rail. Black painted frame, chrome plated rail. Adjustable 1220mm - 1830mm

ADJUSTABLE 2 ARM RAILS



(R116)
Each arm 16" long and independently adjustable every 3" from 48" to 72". Twin uprights made from 1" square tube on a 12" x 15" heavy weighted pan base. Inner uprights and arms made from 1" square tube. Adjustable feet. Cardholder fitting. Mirror finish chrome.

Order No. **R116**



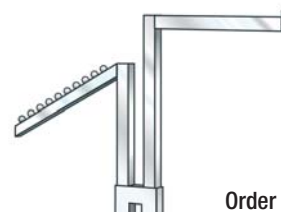
(R117)
Specification as R116 but with 2 x 18" waterfall arms, each with 10 ball stops. Mirror finish chrome.

Order No. **R117**



(R118)
Specification as R116 but with 2 stepped arms. Mirror finish chrome.

Order No. **R118**



(R119)
Specification as R116 but with one R116 straight arm and one R117 waterfall. Mirror finish chrome.

Order No. **R119**